

# Specifications

MODELS	AWP™-20S		AWP™-25S		AWP™-30S	
MEASUREMENTS	Metric	US	Metric	US	Metric	US
Working height*	8.12 m	26 ft 1 in	9.57 m	30 ft 10 in	11 m	35 ft 6 in
Platform height	6.12 m	20 ft 1 in	7.57 m	24 ft 10 in	9 m	29 ft 6 in
<b>A</b> Height - stowed (Standard, Narrow)	1.98 m	6 ft 6 in	1.98 m	6 ft 6 in	1.98 m	6 ft 6 in
stowed (RT)	2.01 m	6 ft 7 in	2.01 m	6 ft 7 in	2.01 m	6 ft 7 in
<b>B</b> tilted back** (Standard)	1.78 m	5 ft 10 in	1.84 m	6 ft 0.3 in	1.89 m	6 ft 2.5 in
<b>C</b> Length - stowed (Standard)	1.24 m	4 ft 1 in	0.31 m	4 ft 3.5 in	1.35 m	14 ft 5 in
stowed (Narrow)	1.27 m	4 ft 2 in	1.32 m	4 ft 4 in	1.40 m	4 ft 7 in
stowed (RT)	1.60 m	5 ft 3 in	1.60 m	5 ft 3 in	1.60 m	5 ft 3 in
<b>D</b> Length - tilted back**	2.11 m	6 ft 11 in	2.11 m	6 ft 11 in	2.11 m	6 ft 11 in
<b>E</b> Width (Standard)	0.74 m	2 ft 5 in	0.74 m	2 ft 5 in	0.74 m	2 ft 5 in
Width (Narrow)	0.56 m	1 ft 10 in	0.56 m	1 ft 10 in	0.56 m	1 ft 10 in
Width (RT)	0.76 m	2 ft 6 in	0.76 m	2 ft 6 in	0.76 m	2 ft 6 in

PRODUCTIVITY	159 kg		350 lbs		159 kg		350 lbs		159 kg		350 lbs	
Lift capacity	159 kg		350 lbs		159 kg		350 lbs		159 kg		350 lbs	
Indoor:												
<b>F</b> <b>G</b> Outrigger footprint (l/w) (Standard)	1.55 x 1.35 m	5 ft 1 in x 4 ft 5 in	1.75 x 1.55 m	5 ft 9 in x 5 ft 1 in	1.93 x 1.73 m	6 ft 4 in x 5 ft 8 in						
Outrigger footprint (l/w) (Narrow/RT)	1.80 x 1.47 m	5 ft 11 in x 4 ft 10 in	1.80 x 1.47 m	5 ft 11 in x 4 ft 10 in	2.11 x 1.88 m	6 ft 11 in x 6 ft 2 in						
<b>H</b> Corner access*** (Standard)	0.38 m	1 ft 3 in	0.48 m	1 ft 7 in	0.56 m	1 ft 10 in						
Corner access*** (Narrow/RT)	0.53 m	1 ft 9 in	0.51 m	1 ft 8 in	0.70 m	2 ft 3.5 in						
<b>I</b> <b>J</b> Wall access front/side (Standard)	0.15 x 0.33 m	6 in x 1 ft 1 in	0.18 x 0.43 m	7 in x 1 ft 5 in	0.20 x 0.53 m	8 in x 1 ft 9 in						
Wall access front/side (Narrow/RT)	0.30 x 0.43 m	1 ft x 1 ft 5 in	0.25 x 0.43 m	10 in x 1 ft 5 in	0.23 x 0.51 m	9 in x 1 ft 8 in						
Outdoor:												
<b>F</b> <b>G</b> Outrigger footprint (l/w) (Standard)	2.46 x 2.26 m	8 ft 1 in x 7 ft 5 in	2.97 x 2.79 m	9 ft 9 in x 9 ft 2 in	2.97 x 2.79 m	9 ft 9 in x 9 ft 2 in						
Outrigger footprint (l/w) (Narrow/RT)	2.84 x 2.84 m	9 ft 4 in x 9 ft 4 in	2.84 x 2.84 m	9 ft 4 in x 9 ft 4 in	3.30 x 3.45 m	10 ft 10 in x 11 ft 4 in						
<b>H</b> Corner access*** (Standard)	0.48 m	1 ft 7 in	0.76 m	2 ft 6 in	0.69 m	2 ft 3 in						
Corner access*** (Narrow/RT)	1.37 m	4 ft 6 in	1.32 m	4 ft 4 in	1.55 m	5 ft 1 in						
<b>I</b> <b>J</b> Wall access front/side (Standard)	0.48 x 0.81 m	1 ft 7 in x 2 ft 8 in	0.74 x 1.07 m	2 ft 5 in x 3 ft 6 in	0.69 x 1.07 m	2 ft 3 in x 3 ft 6 in						
Wall access front/side (Narrow/RT)	0.81 x 1.12 m	2 ft 8 in x 3 ft 8 in	0.74 x 1.12 m	2 ft 5 in x 3 ft 8 in	0.89 x 1.40 m	2 ft 11 in x 4 ft 7 in						
Platform Dimensions: (l/w/h)												
Standard	0.69 x 0.66 x 1.14 m	27 x 26 x 44.75 in	0.69 x 0.66 x 1.14 m	27 x 26 x 44.75 in	0.69 x 0.66 x 1.14 m	27 x 26 x 44.75 in						
Gated standard	0.69 x 0.66 x 1.14 m	27 x 26 x 44.75 in	0.69 x 0.66 x 1.14 m	27 x 26 x 44.75 in	0.69 x 0.66 x 1.14 m	27 x 26 x 44.75 in						
Gated ultra narrow	0.56 x 0.46 x 1.14 m	22 x 18 x 44.75 in	0.56 x 0.46 x 1.14 m	22 x 18 x 44.75 in	0.56 x 0.46 x 1.14 m	22 x 18 x 44.75 in						
Gated narrow	0.66 x 0.51 x 1.14 m	26 x 20 x 44.75 in	0.66 x 0.51 x 1.14 m	26 x 20 x 44.75 in	0.66 x 0.51 x 1.14 m	26 x 20 x 44.75 in						
Standard fiberglass	0.74 x 0.67 x 1.10 m	29 x 26.5 x 43.5 in	0.74 x 0.67 x 1.10 m	29 x 26.5 x 43.5 in	0.74 x 0.67 x 1.10 m	29 x 26.5 x 43.5 in						
Narrow fiberglass	0.66 x 0.56 x 1.10 m	26 x 22 x 43.5 in	0.66 x 0.56 x 1.10 m	26 x 22 x 43.5 in	0.66 x 0.56 x 1.10 m	26 x 22 x 43.5 in						

POWER	12V DC / 220/50-60 Hz AC		12V DC / 220/50-60 Hz AC		12V DC / 220/50-60 Hz AC	
Power source - AC or DC models	12V DC / 220/50-60 Hz AC		12V DC / 220/50-60 Hz AC		12V DC / 220/50-60 Hz AC	

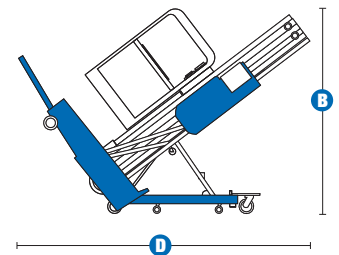
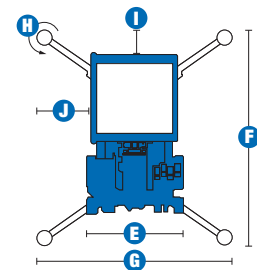
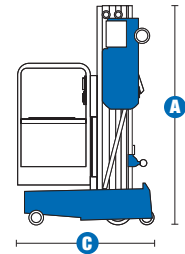
WEIGHT	307 kg		677 lbs		330 kg		727 lbs		352 kg		777 lbs	
AC models (Standard)	307 kg		677 lbs		330 kg		727 lbs		352 kg		777 lbs	
AC models (Narrow/RT)	99 kg		660 lbs		315 kg		2694 lbs		331 kg		729 lbs	
DC models (Standard)	347 kg		766 lbs		371 kg		817 lbs		393 kg		867 lbs	
DC models (Narrow/RT)	340 kg		749 lbs		354 kg		780 lbs		371 kg		818 lbs	
Air motor (Standard)	_____		_____		_____		_____		352 kg		777 lbs	
Air motor (Narrow/RT)	_____		_____		_____		_____		331 kg		729 lbs	

STANDARDS COMPLIANCE	ANSI A92.3, CSA B354.1, CE Compliance, AS 1418.10											
----------------------	---	--	--	--	--	--	--	--	--	--	--	--

\* The metric equivalent of working height adds 2 m to platform height. U.S. adds 6 ft to platform height.  
 \*\* Tilt back height with standard platform. For tilt back height with other platforms, please contact your sales representative.  
 \*\*\* Corner of platform top rail to corner of wall with ability to rotate leveling jack handle.

# Specifications

MODELS	AWP™-36S		AWP™-40S	
	Metric	US	Metric	US
<b>MEASUREMENTS</b>				
Working height*	13.10 m	42 ft 5 in	14.29 m	46 ft 4 in
Platform height	11.10 m	36 ft 5 in	12.29 m	40 ft 4 in
<b>A</b> Height - stowed (Standard, Narrow) stowed (RT)	2.78 m	9 ft 1.5 in	2.78 m	9 ft 1.5 in
<b>B</b> tilted back** (Standard)	1.92 m	6 ft 3.5 in	1.98 m	6 ft 6 in
<b>C</b> Length - stowed (Standard) stowed (Narrow) stowed (RT)	1.40 m	4 ft 7 in	1.42 m	4 ft 8 in
<b>D</b> Length - tilted back**	2.97 m	9 ft 9 in	2.97 m	9 ft 9 in
<b>E</b> Width (Standard) Width (Narrow) Width (RT)	0.74 m	2 ft 5 in	0.74 m	2 ft 5 in
<b>PRODUCTIVITY</b>				
Lift capacity	159 kg	350 lbs	136 kg	300 lbs
Indoor:				
<b>F</b> <b>G</b> Outrigger footprint (l/w) (Standard) Outrigger footprint (l/w) (Narrow/RT)	2.12 x 1.91 m	6 ft 11 in x 6 ft 3 in	2.26 x 2.06 m	7 ft 5 in x 6 ft 9 in
<b>H</b> Corner access*** (Standard) Corner access*** (Narrow/RT)	0.74 m	2 ft 5 in	0.79 m	2 ft 7 in
<b>I</b> <b>J</b> Wall access front/side (Standard) Wall access front/side (Narrow/RT)	0.36 x 0.64 m	1 ft 2 in x 2 ft 1 in	0.38 x 0.71 m	1 ft 3 in x 2 ft 4 in
Outdoor:				
<b>F</b> <b>G</b> Outrigger footprint (l/w) (Standard) Outrigger footprint (l/w) (Narrow/RT)	3.53 x 3.33 m	11 ft 7 in x 10 ft 11 in	3.89 x 3.68 m	12 ft 9 in x 12 ft 1 in
<b>H</b> Corner access*** (Standard) Corner access*** (Narrow/RT)	1.02 m	3 ft 4 in	1.12 m	3 ft 8 in
<b>I</b> <b>J</b> Wall access front/side (Standard) Wall access front/side (Narrow/RT)	1.02 x 1.32 m	3 ft 4 in x 4 ft 4 in	1.12/1.52 m	3 ft 8 in/5 ft
Platform Dimensions: (l/w/h)				
Standard	0.69 x 0.66 x 1.14 m	27 x 26 x 44.75 in	0.69 x 0.66 x 1.14 m	27 x 26 x 44.75 in
Gated standard	0.69 x 0.66 x 1.14 m	27 x 26 x 44.75 in	0.69 x 0.66 x 1.14 m	27 x 26 x 44.75 in
Gated ultra narrow	0.56 x 0.46 x 1.14 m	22 x 18 x 44.75 in	0.56 x 0.46 x 1.14 m	22 x 18 x 44.75 in
Gated narrow	0.66 x 0.51 x 1.14 m	26 x 20 x 44.75 in	0.66 x 0.51 x 1.14 m	26 x 20 x 44.75 in
Standard fiberglass	0.74 x 0.67 x 1.10 m	29 x 26.5 x 43.5 in	0.74 x 0.67 x 1.10 m	29 x 26.5 x 43.5 in
Narrow fiberglass	0.66 x 0.56 x 1.10 m	26 x 22 x 43.5 in	0.66 x 0.56 x 1.10 m	26 x 22 x 43.5 in
<b>POWER</b>				
Power source - AC or DC models	12V DC / 220/50-60 Hz AC		12V DC / 220/50-60 Hz AC	
<b>WEIGHT</b>				
AC models (Standard)	461 kg	1,017 lbs	472 kg	1,040 lbs
AC models (Narrow/RT)	_____	_____	_____	_____
DC models (Standard)	502 kg	1,107 lbs	513 kg	1,130 lbs
DC models (Narrow/RT)	_____	_____	_____	_____
Air motor (Standard)	_____	_____	_____	_____
Air motor (Narrow/RT)	_____	_____	_____	_____
<b>STANDARDS COMPLIANCE</b>				
ANSI A92.3, CSA B354.1, CE Compliance, AS 1418.10				



## Features

### STANDARD FEATURES

#### MEASUREMENTS

##### AWP™-20S

- 8.12 m (26 ft 1 in) working height
- 6.12 m (20 ft 1 in) platform height
- 0.74 m (2 ft 5 in) standard base width
- 0.56 m (1 ft 10 in) narrow base width
- 0.76 m (2 ft 6 in) RT base width
- Up to 159 kg (350 lbs) lift capacity

##### AWP™-25S

- 9.57 m (30 ft 10 in) working height
- 7.57 m (24 ft 10 in) platform height
- 0.74 m (2 ft 5 in) standard base width
- 0.56 m (1 ft 10 in) narrow base width
- 0.76 m (2 ft 6 in) RT base width
- Up to 159 kg (350 lbs) lift capacity

##### AWP™-30S

- 11.02 m (35 ft 6 in) working height
- 9.02 m (29 ft 6 in) platform height
- 0.74 m (2 ft 5 in) standard base width
- 0.56 m (1 ft 10 in) narrow base width
- 0.76 m (2 ft 6 in) RT base width
- Up to 159 kg (350 lbs) lift capacity

##### AWP™-36S

- 13.10 m (42 ft 5 in) working height
- 11.10 m (36 ft 5 in) platform height
- 0.74 m (2 ft 5 in) standard base width
- Up to 159 kg (350 lbs) lift capacity

##### AWP™-40S

- 14.29 m (46 ft 4 in) working height
- 12.29 m (40 ft 4 in) platform height
- 0.74 m (2 ft 5 in) standard base width
- Up to 136 kg (300 lbs) lift capacity

### STANDARD FEATURES cont.

#### PRODUCTIVITY

- Standard base
- Sliding mid-rail standard platform
- Auxiliary platform lowering
- Most rigid mast in the industry
- Rocker base system for manoeuvrability
- Tilt back frame (standard on AWP-36, -40)
- Easily rolls through standard doorways
- AC power to platform
- Dual activated up/down switch
- Ground fault interrupt (ANSI / CSA only)
- Small outrigger footprints
- Outrigger storage sockets
- Easy loading in utes
- Tie down attachment points
- Overhead crane attachment point
- Wide forklift pockets
- Rear access forklift pocket
- LED lights confirm proper set-up

#### POWER

- AC power 220 V / 50-60 Hz
- DC power 230V / 50 Hz with worldwide automatic “smart” charging system

### OPTIONS & ACCESSORIES

#### PRODUCTIVITY

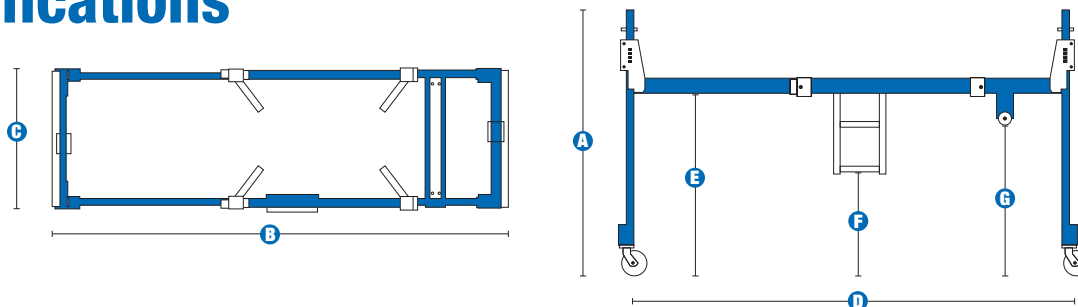
- Super-straddle
- Gated standard platform
- Gated ultra narrow platform
- Gated narrow platform
- Standard fiberglass platform
- Narrow fiberglass platform
- Narrow base conversion kit (AWP-20, -25, -30 RT only)
- RT conversion kit (AWP-20, -25, -30 Narrow only)
- Tilt-back frame (option on AWP-20, -25, -30 only)
- Operational warning light and descent alarm package
- Tool tray
- Fluorescent tube caddy
- Platform locating laser light

#### POWER OPTIONS

- Air motor power 1.1 kW (1.5 hp) (AWP-30 only)



# Specifications



MEASUREMENTS	AWP™-20S		AWP™-25S		AWP™-30S	
	Metric	US	Metric	US	Metric	US
<b>A</b> Height	1.78 m	5 ft 10 in	1.78 m	5 ft 10 in	1.78 m	5 ft 10 in
<b>B</b> Length (adjustable)	2.77 – 3.25 m	9 ft 1 in – 10 ft 8 in	2.77 – 3.25 m	9 ft 1 in – 10 ft 8 in	2.77 – 3.25 m	9 ft 1 in – 10 ft 8 in
<b>C</b> Width	0.97 m	3 ft 2 in	0.97 m	3 ft 2 in	0.97 m	3 ft 2 in
Width with required outriggers	1.75 m	5 ft 9 in	2.05 m	6 ft 9 in	2.31 m	7 ft 7 in
<b>D</b> Wheelbase (adjustable)	2.64 – 3.25 m	8 ft 8 in – 10 ft 8 in	2.64 – 3.25 m	8 ft 8 in – 10 ft 8 in	2.64 – 3.25 m	8 ft 8 in – 10 ft 8 in
<b>E</b> Straddle clearance	1.22 m	4 ft	1.22 m	4 ft	1.22 m	4 ft
<b>F</b> Height to ladder	0.69 m	2 ft 3 in	0.69 m	2 ft 3 in	0.69 m	2 ft 3 in
<b>G</b> Height to fixed wheel	1.02 m	3 ft 4 in	1.02 m	3 ft 4 in	1.02 m	3 ft 4 in
Storage dimensions (l/w/d)	2.03 x 0.94 x 0.61 m	80 x 37 x 24 in	2.03 x 0.94 x 0.61 m	80 x 37 x 24 in	2.03 x 0.94 x 0.61 m	80 x 37 x 24 in
<b>WEIGHT</b>						
	263 kg	580 lbs	263 kg	580 lbs	263 kg	580 lbs

MEASUREMENTS	AWP™-36S		AWP™-40S	
	Metric	US	Metric	US
<b>A</b> Height	1.78 m	5 ft 10 in	1.78 m	5 ft 10 in
<b>B</b> Length (adjustable)	2.77 – 3.25 m	9 ft 1 in – 10 ft 8 in	2.77 – 3.25 m	9 ft 1 in – 10 ft 8 in
<b>C</b> Width	0.97 m	3 ft 2 in	0.97 m	3 ft 2 in
Width with required outriggers	2.57 m	8 ft 5 in	2.77 m	9 ft 1 in
<b>D</b> Wheelbase (adjustable)	2.64 – 3.25 m	8 ft 8 in – 10 ft 8 in	2.64 – 3.25 m	8 ft 8 in – 10 ft 8 in
<b>E</b> Straddle clearance	1.22 m	4 ft	1.22 m	4 ft
<b>F</b> Height to ladder	0.69 m	2 ft 3 in	0.69 m	2 ft 3 in
<b>G</b> Height to fixed wheel	1.02 m	3 ft 4 in	1.02 m	3 ft 4 in
Storage dimensions (l/w/d)	2.03 x 0.94 x 0.61 m	80 x 37 x 24 in	2.03 x 0.94 x 0.61 m	80 x 37 x 24 in
<b>WEIGHT</b>				
	263 kg	580 lbs	263kg	580 lbs

**Genie Australia – Toll free number 1800 788 633**

**Brisbane (Head Office)**  
33 Kimberley Street  
Darra QLD 4076

**Sydney**  
74 Glendenning Road  
Glendenning NSW 2761

**Melbourne**  
374 Hammond Road  
Dandenong VIC 3175

**Perth**  
83 Bannister Road  
Canning Vale WA 6155

**Genie United States Distributed by:**

18340 NE 76th Street  
P.O. Box 97030  
Redmond, Washington  
98073-9730

Effective Date: April, 2009. Product specifications and prices are subject to change without notice or obligation. The photographs and/or drawings in this document are for illustrative purposes only. Refer to the appropriate Operator's Manual for instructions on the proper use of this equipment. Failure to follow the appropriate Operator's Manual when using our equipment or to otherwise act irresponsibly may result in serious injury or death. The only warranty applicable to our equipment is the standard written warranty applicable to the particular product and sale and we make no other warranty, express or implied. Products and services listed may be trademarks, service marks or trade-names of Terex Corporation, Genie Industries, Inc. and/or their subsidiaries in the U.S.A. and many other countries and all rights are reserved. Terex is a Registered Trademark of Terex Corporation in the U.S.A. and many other countries. Genie is a Registered Trademark of Genie Industries, Inc. in the U.S.A. and many other countries. Genie is a Terex Company. © 2009 Terex Corporation.