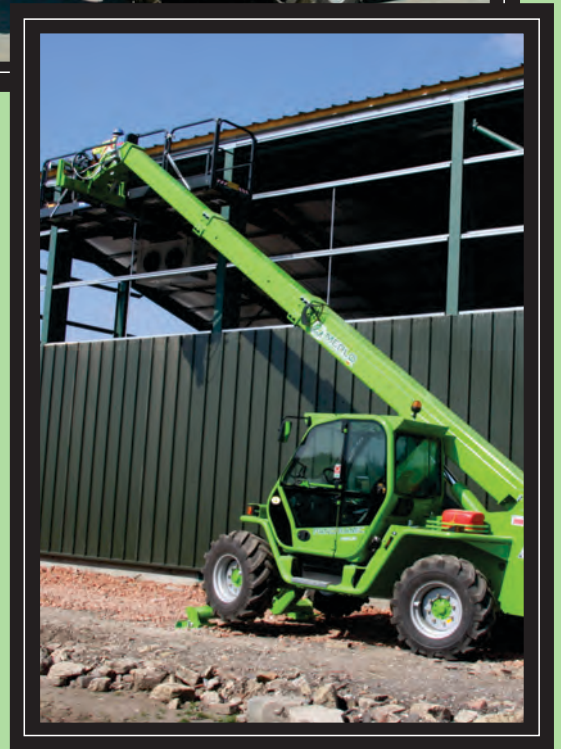


PANORAMIC P 38.13

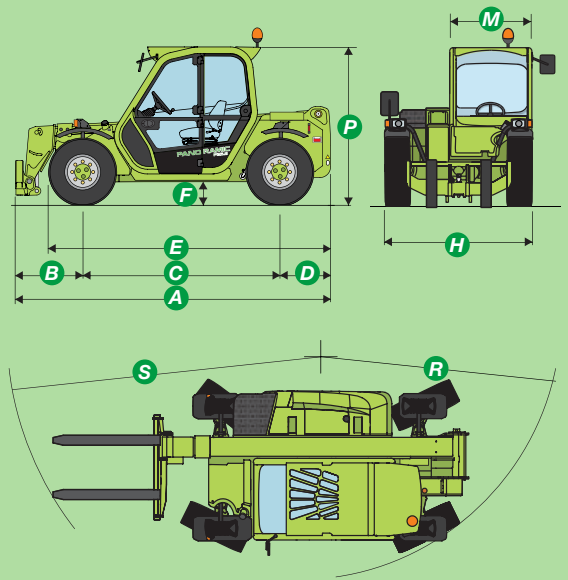


MERLO
AUSTRALIA

KEY SPECIFICATIONS

Total weight unladen with forks (kg)	8650
Maximum load capacity (kg)	3800
Maximum lift height (m)	12.6
Maximum forward reach (m)	8.8
Lift height at maximum capacity (m)	6.0
Forward reach at maximum load capacity (m)	1.9
Load capacity at maximum height (kg) (stab)	3000
Load capacity at maximum forward reach (kg) (stab)	700
Engine (make/number of cylinders)	Perkins/4
Tier 3 engine power (kW/hp)	74.5/101
Fuel capacity (l)	150
Maximum speed (kph)	25
Load -sensing hydraulic pump (bar-l/min)	210-108
Hydraulic oil capacity (l)	105
Electrical circuit (V)	12
Battery (Ah)	100
Cab compliant with ROPS/FOPS standards	✓
2x1 Mechanical joystick controls	✓
Tac-Lock attachment coupling	✓
Auxiliary boom hydraulics	✓
Two standard forks (1200mm)	✓
Hydrostatic transmission	✓
Finger touch direction control	✓
Inching pedal for precise control	✓
Permanent 4 wheel drive	✓
Four wheel steering	✓
Dry type disc brakes on all wheels	✓
Automatically locking parking brake	✓
405/70-24 tyres	✓
Rear differential lock	✓
Four cab working lights (2f & 2r)	✓
12V electrical on boom head	✓
Air suspension seat	✓
Front window protection	✓
Full size cab with air conditioning	✓
Stability control system. Boom Side Shift	✓

The Merlo Panoramic P38.13 is designed for exactly what is needed on site, a tough reliable tool, easy to use and versatile. The Merlo design gives the advantage of bigger performance in a smaller lighter machine with added flexibility. For added productivity, a large range of optional attachments including buckets, crane hooks, winches, jibs and man platforms add to the versatility of the P38.13. The standard hydraulic quick attach fork carriage allows attachments to be quickly changed using controls in the cab. The Boom side shift and frame levelling provide greater control. The Merlo P38.13 can move 3800 kg up to 12.6m height and travel up to 25 km/h, with the extra benefits of a full size comfort cab. The 3 mode steering adds to the ease of operation. You benefit from easy to use versatile equipment, an increase in efficiency and productivity, and the safest telehandler with 50 years of specialist experience.

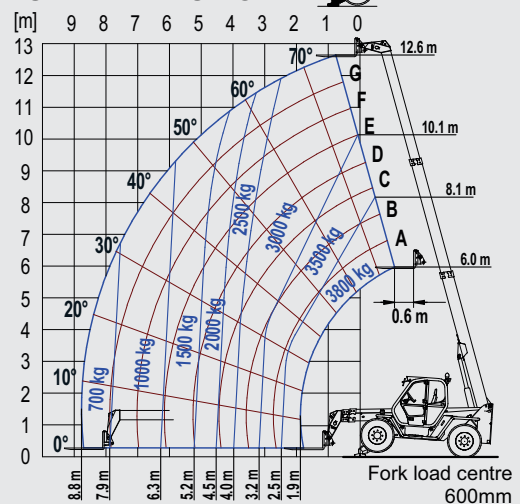


DIMENSIONS

A (mm)	5240
B (mm)	1675
C (mm)	2750
D (mm)	815
E (mm)	4100
F (mm)	480
H (mm)	2220
M (mm)	995
P (mm)	2440
R (mm)	3920
S (mm)	4940

P38.13 Load Chart - Standard forks
Standard fork REF.No A0301
Max cap. 3800 kg
Max cap. 2990 kg (De-Rated mode)

STABILIZERS DOWN



1300 657325
merloaustralia.com.au