

# Specifications

<b>MODELS</b>	<b>GH™-3.8</b>		<b>GH™-5.6</b>	
<b>MEASUREMENTS</b>	<b>Metric</b>	<b>US</b>	<b>Metric</b>	<b>US</b>
<b>A</b> Height - stowed	1.04 m	3 ft 5 in	1.37 m	4 ft 6 in
- lifting height	3.80 m	12 ft 5.6 in	5.60 m	18 ft 4.5 in
<b>B</b> Length - platform	0.48 m	1 ft 7 in	0.48 m	1 ft 7 in
<b>C</b> Width - platform	0.61 m	2 ft	0.61 m	2 ft
<b>D</b> - base (corner to corner)	1.35 m	4 ft 5 in	1.35 m	4 ft 5 in

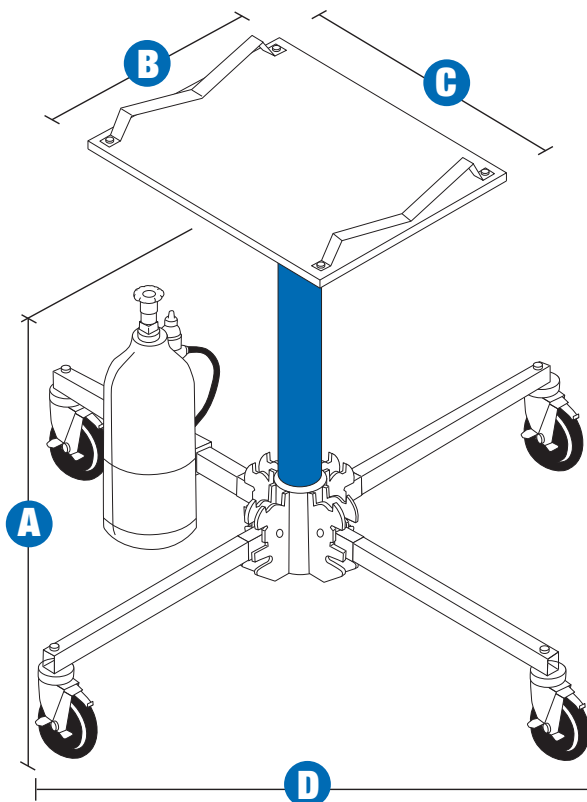
<b>PRODUCTIVITY</b>				
Load capacity	136 kg	300 lbs	113 kg	250 lbs
Storage/transport dimensions	0.36 x 0.36 x 1.00 m	14 x 14 x 39.5 in	0.36 x 0.36 x 1.00 m	14 x 14 x 39.5 in

<b>POWER</b>				
Recommended PSI	5.86 bar	85 psi	5.86 bar	85 psi

<b>WEIGHT*</b>				
	34 kg	75 lbs	37 kg	82 lbs



\* Weight will vary depending on options and/or country standards.

## Features

### STANDARD FEATURES

#### MEASUREMENTS

##### GH™-3.8

- 3.80 m (12 ft 5.6 in) lifting height
- 136 kg (300 lbs) load capacity

##### GH™-5.6

- 5.60 m (18 ft 4.5 in) lifting height
- 113 kg (250 lbs) load capacity

#### PRODUCTIVITY

- One-piece platform
- Portable and compact design
- Up and down dump valve can be easily activated by patented control handle
- The Super Hoist sets up in seconds – no tools required
- The one-piece platform attaches to cylinder with a twist of the wrist
- Legs fold up for easy storage
- Easy-to-release leg lock keeps legs up for storage and out for use
- Wheel brakes
- Auto-lubricating oil reservoir on top of each piston inside the cylinder
- Easy to service

#### POWER

- Powered by CO<sub>2</sub> or compressed air
- One size fits all CO<sub>2</sub> bottle mounting bracket

### OPTIONS & ACCESSORIES

#### PRODUCTIVITY

- Platform cradle package

#### POWER OPTIONS

- 9 kg (20 lbs) CO<sub>2</sub> tank with regulator



### Genie Australia – Toll free number 1800 788 633

**Brisbane (Head Office)**  
33 Kimberley Street  
Darra QLD 4076

**Sydney**  
74 Glendenning Road  
Glendenning NSW 2761

**Melbourne**  
374 Hammond Road  
Dandenong VIC 3175

**Perth**  
83 Bannister Road  
Canning Vale WA 6155

### Genie United States Distributed by:

18340 NE 76th Street  
P.O. Box 97030  
Redmond, Washington  
98073-9730

Effective Date: April, 2009. Product specifications and prices are subject to change without notice or obligation. The photographs and/or drawings in this document are for illustrative purposes only. Refer to the appropriate Operator's Manual for instructions on the proper use of this equipment. Failure to follow the appropriate Operator's Manual when using our equipment or to otherwise act irresponsibly may result in serious injury or death. The only warranty applicable to our equipment is the standard written warranty applicable to the particular product and sale and we make no other warranty, express or implied. Products and services listed may be trademarks, service marks or trade-names of Terex Corporation, Genie Industries, Inc. and/or their subsidiaries in the U.S.A. and many other countries and all rights are reserved. Terex® is a Registered Trademark of Terex Corporation in the U.S.A. and many other countries. Genie is a Registered Trademark of Genie Industries, Inc. in the U.S.A. and many other countries. Genie is a Terex Company. © 2009 Terex Corporation.

GH-3.8, GH-5.6 090327 Ver1

[www.genieindustries.com](http://www.genieindustries.com)