

T80/T85J

TELESCOPIC BOOM LIFTS



- Robust diesel telescopic boom lifts
- Available with and without a jib boom
- Powerful 4 wheel drive and 4 wheel steer
- Excellent rough terrain performance
- Designed for construction applications

 **snorkel**
www.snorkellifts.com

TELESCOPIC BOOM LIFTS

T80/T85J

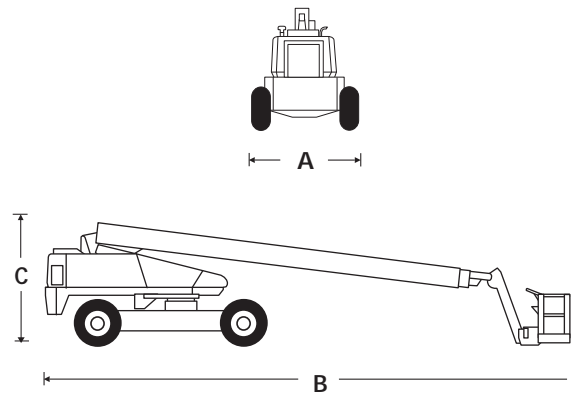
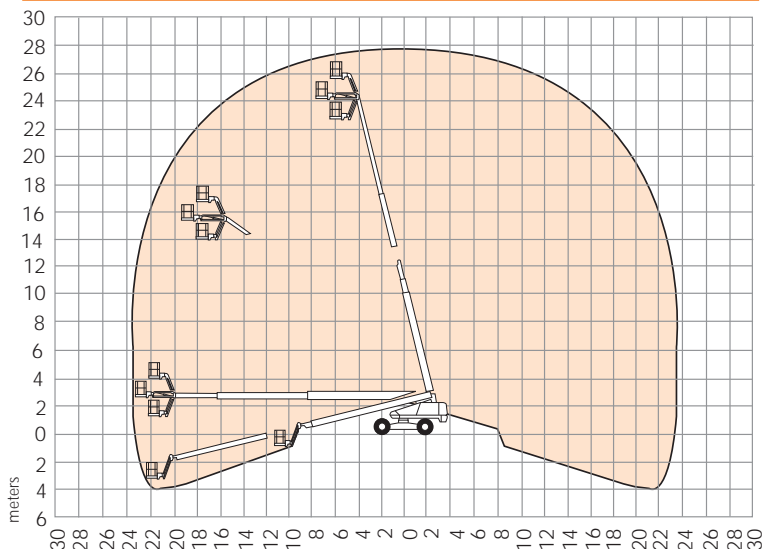
DIMENSIONS	T80	T85J
Max. working height	26.4m	27.9m
Max. platform height	24.4m	25.9m
Max. working outreach	21.7m	23.4m
Platform size	0.76m x 2.44m	0.76m x 2.44m
Overall width (A)	2.6m	2.6m
Overall length (B)	11.8m	12.9m
Stowed height (C)	2.9m	2.9m
Ground clearance	330mm	330mm

PERFORMANCE		
Platform capacity (SWL)	227kg	227kg
Max. drive height	24.4m	25.9m
Max. drive speed (stowed)	4.8km/h	4.8km/h
Max. drive speed (elevated)	1.0km/h	1.0km/h
Jib length	n/a	1.5m
Jib working arc	n/a	140°
Platform rotation	165°	170°
Turret rotation (continuous)	360°	360°
Raise/lower time	195/175 seconds	230/210 seconds
Gradeability	30%	30%
Inside turning radius	2.4m	2.4m
Tyres	15 x 625 loader lug poly filled	
Controls	proportional joystick	
Drive system	4 wheel drive	

POWER		
Power source	Deutz F4L-2011 air cooled diesel 64hp	

WEIGHT		
Gross weight	16,480kg	17,100kg

WORKING ENVELOPE



STANDARD FEATURES

- 1.8m, 140° jib (T85J only)
- Hydraulic powered platform rotation
- 4 wheel drive and 4 wheel steer
- Proportional control of drive, boom lift and slew
- Poly filled lug tyres
- Driveable at full height
- Horn
- Power line to platform (no sockets)
- CE approved

OPTIONS

- Special paint colours
- Airline to platform
- Swing gate in lieu of drop bar
- Cold weather start kit
- Extreme cold weather package
- Light package
- Extreme environment package
- Tow package
- Glazier package
- 12k generator package
- 12k generator/welder package

snorkel www.snorkellifts.com

2/26 Redfern Street,
Wetherill Park,
NSW 2164, Australia
t: +61 1300 900 700

e: sales.au@snorkellifts.com