



Self-Propelled Telescopic Booms

S-80/S-85™

The ultimate
in reach,
performance
and range.



Get the greatest reach and versatility with our unique jib option.

Genie's stick boom family includes faster lift speed, a more powerful engine, a stiffer mast and updated styling. Choose the Genie S-80 Boom, with 26.4 m (86 ft) of working height, or the S-85, with an additional 1.52 m (5 ft) articulating jib boom. Customise your boom with many option packages.



Terrain Tracking Active Oscillation System

This revolutionary system automatically senses the terrain and adjusts the front axle oscillation based on ground conditions. The system maximises four point contact with the ground for improved traction and an amazingly smooth ride.

Standard Features

Powerful Engines

The enhanced performance engines are stronger and more powerful. In demanding conditions the power is there. With normal duty, longer engine life.

Proportional Controls

Allow smooth operation and easy positioning.

160° Hydraulic Platform Rotator

Gives you precise placement without repositioning the boom.

Easily Accessible Components

The swing-out engine tray, clear access to hydraulic components and easy-to-understand electrical system simplify routine maintenance.

Positive Traction Drive

Full time 4 wheel drive and full time positive traction in both high and low drive speeds.

Drive Enable System

Informs operator when the drive and steer functions will move opposite the controller movements.

Low-Profile Chassis Covers

Provide high visibility for the operator while unit is in stowed position.

Platform Controls

Large, simple-to-use controls for easy operation.

Transportability

The S-80 and S-85 are designed to load and unload easily from transport vehicles.

Drive and Extend Axles

Extendable axles operate from the platform. Setup is one step. Simply activate extend function while driving the machine and the axles automatically extend, lock in place and enable platform elevation.

Fast and Efficient Lift Speed

The capability to operate multiple functions simultaneously results in maximum lift speed. The S-80 elevates from the ground to full height in just 80 seconds.

Easily customised to meet your needs:

Engine Options

- GM 3.0L Gas/LPG 60 kw (80 hp)
- Deutz Diesel F4L 913 57 kw (77 hp)
- Perkins Diesel 704-30 47 kw (63 hp)

Platform Options

- Standard: Steel 1.83 m (6 ft)
- Optional: Steel 2.44 m (8 ft)



S-85 Out-and-Up Articulating Jib Boom

This special option gives you an additional 1.52 m (5 ft) of horizontal reach for a total of 23.4 m (77 ft). The S-85 jib gives you flexibility too – 135° of working range. You not only access 75° above horizontal, but you can get to 60° below horizontal.

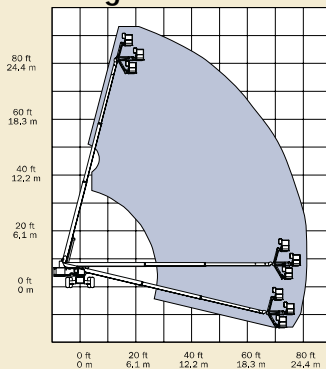


Standard Features

- S-80 has 26.4 m (86 ft) working height
- S-85 has 27.9 m (91 ft) working height
- S-80 has 21.9 m (72 ft) horizontal reach
- S-85 has 23.4 m (77 ft) horizontal reach
- Up to 272 kg (600 lb) lift capacity on the S-80
- 227 kg (500 lb) lift capacity on the S-85
- Extendable axles operated from the platform
- Dual extended cylinders
- Dual fuel (Gas/LPG) or diesel engine options
- Fully proportional platform controls with ramp up/down feature
- Hydraulic platform rotation
- 360° continuous turntable rotation

- 12V DC auxiliary power
- Fuel select switch on platform and ground control panels (Gas/LPG models)
- Closed-loop hydrostatic drive
- Positive traction drive
- Drive enable system
- Self-levelling platform
- Rough terrain air tyres
- Locking turntable covers
- Anti-restart engine protection
- Auto engine fault shutdown
- AC wiring to platform
- Hydraulic oil cooler
- Wire braided hose
- Tilt alarm
- Horn
- Hour meter

Range of Motion

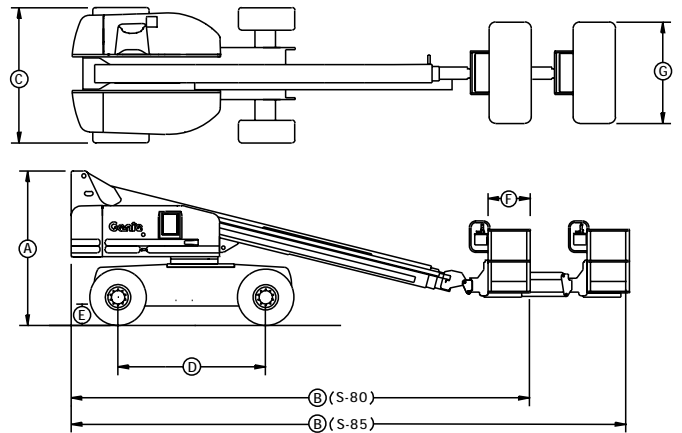


Options and Accessories

- Alarm package
- Cold start packages
- 3500 watt AC generator
- 2.44 m (8 ft) steel platform
- 340 kg (750 lb) lift capacity option on the S-80
- Platform swing gate
- Air line to platform
- Platform rail pinch guard
- Platform work lights
- Lockable platform control box cover
- Tool tray
- Fluorescent tube caddy
- Hostile environment packages
- LPG tank
- GS/LPS rating for GM engine option on the S-80
- Rough terrain foam-filled tyres
- Driving lights
- Pipe cradle

Standards Compliance

- ANSI/SIA A92.5
- CAN3-B354.4-M82
- CE compliance option
- AS 1418.10



Specifications

Model	S-80		S-85	
	Metric	US	Metric	US
Working height max*	26.4 m	86 ft	27.9 m	91 ft
Platform height max	24.4 m	80 ft	25.9 m	85 ft
(A) Height - stowed	2.8 m	9 ft 2 in	2.8 m	9 ft 2 in
(B) Length - stowed	11.2 m	36 ft 8 in	12.4 m	40 ft 7 in
(C) Width axles retracted	2.43 m	8 ft	2.43 m	8 ft
Width axles extended	3.04 m	10 ft	3.04 m	10 ft
(D) Wheelbase	2.74 m	9 ft	2.74 m	9 ft
(E) Ground clearance	28 cm	11 in	28 cm	11 in
(F) Platform length:				
1.83 m (6 ft)	76 cm	30 in	76 cm	30 in
2.43 m (8 ft)	91 cm	36 in	91 cm	36 in
(C) Platform width:				
1.83 m (6 ft)	1.83 m	72 in	1.83 m	72 in
2.43 m (8 ft)	2.44 m	96 in	2.44 m	96 in
Horizontal reach max	21.9 m	72 ft	23.4 m	77 ft
Lift capacity				
1.83 m (6 ft) platform	272 kg	600 lb	227 kg	500 lb
Lift capacity				
2.43 m (8 ft) platform	227 kg	500 lb	227 kg	500 lb
Turning radius - outside	7 m	23 ft	7 m	23 ft
Turning radius - inside	3.24 m	10 ft 8 in	3.24 m	10 ft 8 in
Turntable rotation	360° continuous		360° continuous	
Turntable tailswing	1.13 m	3 ft 8 in	1.13 m	3 ft 8 in
Power source	GM 3.0L Gas/LPG 60 kw (80 hp) Deutz Diesel F4L 913 57 kw (77 hp) Perkins Diesel 704-30 47 kw (63 hp)			
Controls	12V DC proportional		12V DC proportional	
Platform rotation	160°		160°	
Auxiliary power unit	12V DC		12V DC	
Tyres	15-22.5 SAT		15-22.5 SAT	
Drive speed, stowed	5.3 kph	3.3 mph	5.3 kph	3.3 mph
4x4 models				
Drive speed, raised or extended	1.1 kph	0.68 mph	1.1 kph	0.68 mph
Gradeability, stowed	45%		45%	
4x4 models				
Hydraulic tank capacity	170 litres	45 gal	170 litres	45 gal
Fuel tank capacity	125 litres	33 gal	125 litres	33 gal
Weight**	16,001 kg	35,277 lb	17,118 kg	37,740 lb

* The metric equivalent of working height adds 2 m to platform height. U.S. adds 6 ft to platform height.
** Weight will vary depending on options and/or country standards.



A division of FORCE CORP
FREECALL: 1800 674 777